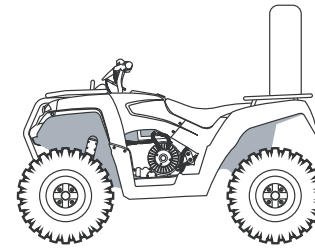


TECHNICAL SPECIFICATION



LEADING THE CHARGE



ELIMINATOR II

ECO CHARGER E-ATV IS BUILT AS A WORKHORSE. RIGOROUS TESTING, CONTROLLED PRODUCTION AND QUALITY COMPONENTS MAKE IT A MACHINE YOU CAN RELY ON.

Featuring amazing torque for towing, regenerative braking to preserve power, electric power steering and quiet operation. Start making savings now and into the future – improve your environmental credentials – take a look at the impressive Eco Charger E-ATV.

TECHNICAL SPECIFICATION



HIGHLIGHTS

- UP TO 30MILES/48KM (DEPENDENT ON TERRAIN)
- REGENERATIVE BRAKING AS STANDARD
- ELECTRIC SWITCHABLE 2WD/ 4WD AND DIFF LOCK
- EASY GEAR - PRESELECT ION
- ELECTRIC POWER STEERING AS STANDARD
- ALLOY WHEELS
- FRONT WINCH OPTION
- HAND GUARDS
- COLOUR OPTIONS - BLACK/WHITE/GREEN*
- BESPOKE COLOUR OPTIONS POSSIBLE*

*These options may incur extra cost

TECHNICAL SPECIFICATION



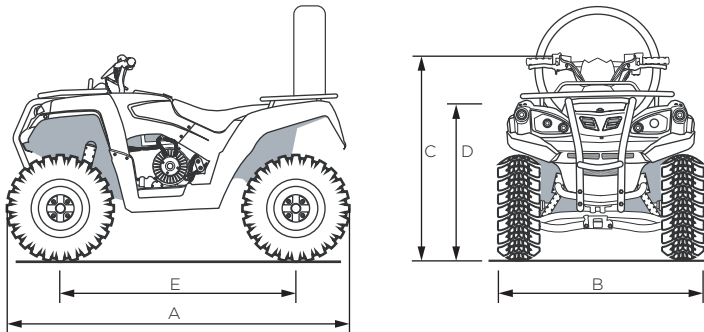
MOTOR

- 15 kW max. Permanent magnet DC motor
- 4 Quadrant with micro-processor control
- Sealed AGM 72 volt, 100 Ah (7.2 kWh)
- Regenerative Braking

TRANSMISSION

- Automatic drive with high and low shift equipped with switchable forward and reverse

DIMENSIONS & WEIGHT



A 2150mm
B 1280mm
C 1250mm
D 890mm
E 1320mm

Weight - 496 kg



BRAKES

- Hydraulic Front: R/L Disc brake
- Rear: Disc brake

SUSPENSION

- Front & Rear: Dual A-arm with 5 way preload adjustable shocks

 EcoCharger Ltd
70 Gazelle Road
Weston Industrial Estate
Weston-super-Mare
BS24 9ES

 0844 5883048

 ecochargerquads.com

 hello@ecochargerquads.com

