

LITHIUM PURE

100% ELECTRIC **ZERO EMISSIONS**



THE LITHIUM PURE - THE FIRST OF OUR 'WORK SPECIFIC' QUADS. 2WD, 72 VOLT, PLUS FLEXIBLE HIGH & LOW GEAR RANGES GUARANTEE SUPERB PERFORMANCE WITH OUTSTANDING TOWING CAPABILITY.

**EXTENDED RANGE (INDICATIVE)
MORE TORQUE
REDUCED WEIGHT
IMPROVED OFF-ROAD CAPABILITY
HIGHER TOP SPEED
FASTER CHARGING
IMPROVED BATTERY LONGEVITY
INCREASED GROUND CLEARANCE**



- UP TO 70KM (DEPENDENT ON TERRAIN)
- REGENERATIVE BRAKING
- ELECTRIC 2WD

- EASY GEAR - PRESELECT ION
- TOW HITCH
- COLOUR OPTION - BLACK/GREEN/WHITE

- COLOUR OPTION - SILVER*
- OPTIONAL LIFEGUARD® ROLL-BAR*
- OPTIONAL ECO CHARGER DEFENDER®*

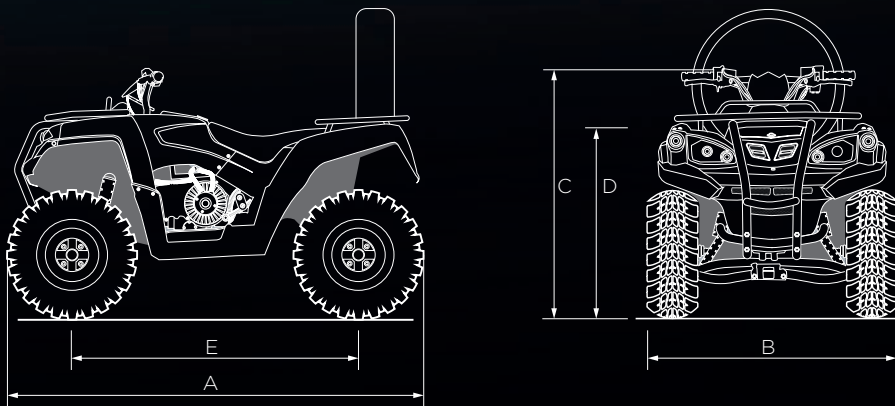
*These options may incur extra cost

LEADING THE CHARGE

LITHIUM PURE



DIMENSIONS & WEIGHT



A 1980mm
B 1140mm
C 1150mm
D 832mm
E 1280mm

Weight - 238 kg

MOTOR

- 15 kW max. Permanent magnet DC motor
- 4 Quadrant with micro-processor control
- Bespoke Li-Ion Batteries, 72V 27Ah each
- Regenerative Braking

TRANSMISSION

- Automatic drive with high and low shift equipped with switchable forward and reverse


BRAKES

- Hydraulic Front: R/L Disc brake
- Rear: Disc brake

SUSPENSION

- Front: Dual A-arm with 5 way preload adjustable shocks
- Rear: Swinging arm preload adjustable shocks

 EcoCharger Ltd
70 Gazelle Road
Weston Industrial Estate
Weston-super-Mare
BS24 9ES

 0844 5883048

 ecochargerquads.com

 hello@ecochargerquads.com

  
/ecochargerquad